

# LBSC 690: Information Technology

## Solutions to Homework 06: RDBMS and SQL

William Webber  
CIS, University of Maryland

Spring semester, 2012

*Figure 1 contains a simplified schema for the database of student drawings from last weeks' homework. Note that we have dropped the requirement that each student has a list of all classes they attend, and hence the "Enrolment" table.*

*[...]*

*[W]rite and execute queries that do the following:*

- 1. Get a list of the titles and URLs of all drawings in the database.*
- 2. Get the titles, dates drawn, and year levels of all drawings drawn in an "Art" class.*
- 3. Get the titles and student given and family names of all drawings drawn before March 5th in Year 5 or below.*

1. **SELECT** title , url **FROM** Drawing;

**SELECT** title , date\_drawn , year\_level **FROM** Drawing , Class  
**WHERE** Drawing.class\_id=Class.id **AND** Class.name="Art";

3. **SELECT** title , given , family **FROM** Drawing , Student , Class  
**WHERE** Drawing.class\_id=Class.id **AND** Drawing.student\_id=Student.id  
**AND** Class.year <= 5 **AND** Drawing.date\_drawn < '2012-03-05';

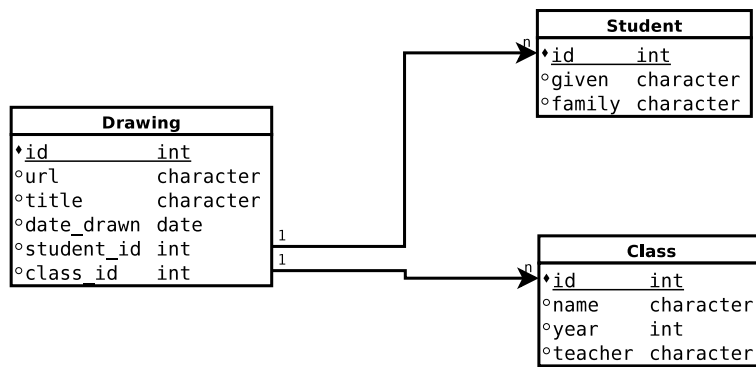


Figure 1: Schema for database of student drawings.